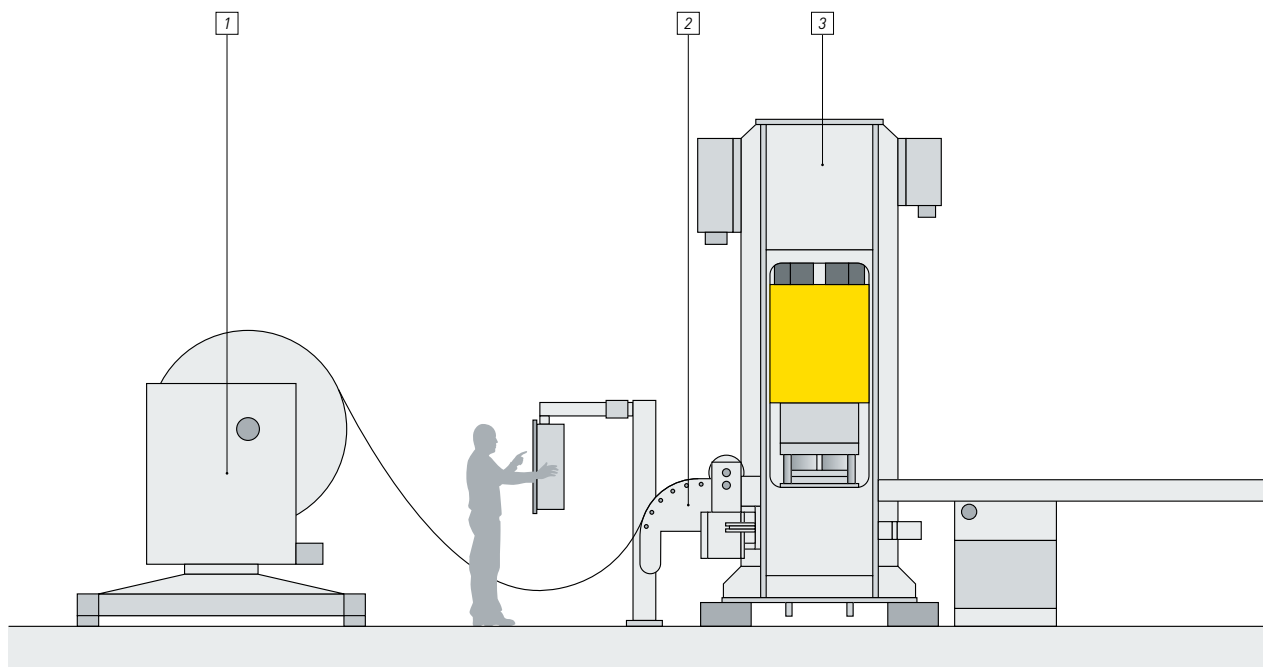


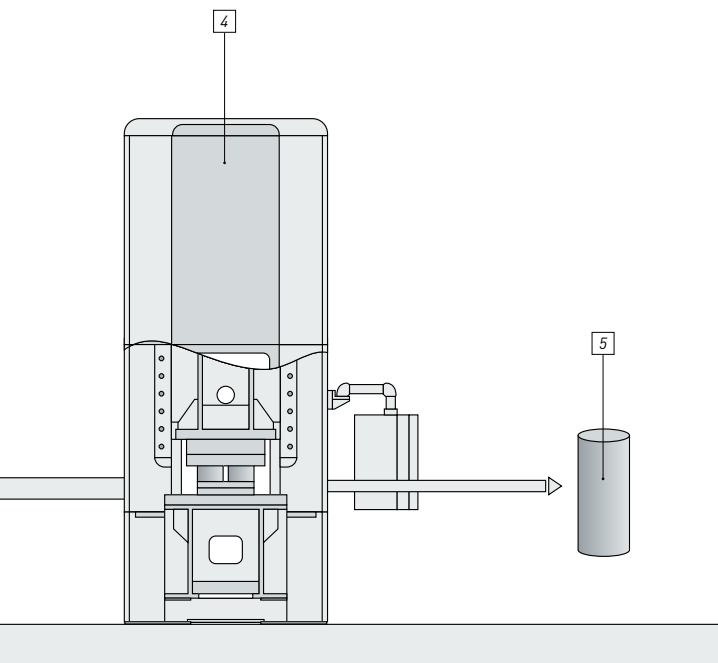
MASS PRODUCTION OF CYLINDRICAL BATTERY CELL CASES

MASS PRODUCTION OF CYLINDRICAL BATTERY CELL CASES.



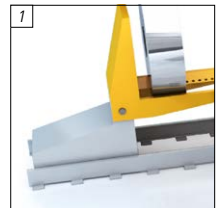
Schuler's innovative high speed solution

- Aluminum cases as well as special steel grades
 - Minimum weight of cases
 - Perfect wall thickness ± 5 micron
 - Highest manufacturing speeds, tailorable to your requirements
 - Scalable manufacturing capacity, thus also scalable investment
 - Machines from the market leader in metal forming
 - German engineering
 - One-stop shopping and turn-key supply
 - Proven transfer operation with multiple deep draw
-



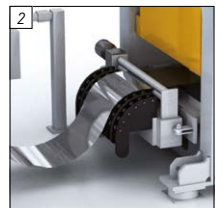
1 Uncoiler

- Full width material → maximum material efficiency
- Standard coils → material availability and minimum material cost
- Least possible scrap volume, best material utilization



2 Coil Infeed

- Integrated lubrication → stable production
- Longitudinal infeed, avoiding transversal movement → cutting precision



3 CupFormer

- Double action press → blanking and cup forming by deep draw in one machine
- Standard tooling → Tool availability
- Small and compact machine → no foundation
- Highspeed press with highest output rate



4 Transfer Press

- Multiple station deep draw → flexible in height
- Standard operation → proven process technology
- In-die trimming of the case



5 Finished Case

6 Line Control and Data Monitoring

- Central control of complete line
- Balancing of machine speed for smooth line operation
- Calculation of KPI's of line
- Support of maintenance

7 End of Line

- Palletizing, visual inspection or anything else – End of Line is completely tailorable to your requirements

ABOUT THE SCHULER GROUP – WWW.SCHULERGROUP.COM

Schuler offers customized first-rate technology in all areas of forming – from the networked press to press shop planning. In addition to press, our product includes automation and software solutions, dies, process know-how and service for the entire metalworking industry. Our customers include automotive manufacturers and suppliers, as well as companies in the forging, household appliance and electronics industries. Press from the Schuler Group mint coins for more than 180 countries. When it comes to the digital transformation of the forming technology, we support our customers worldwide as a supplier of innovative system solutions. Founded in 1839 with headquarters in Göppingen, Germany, Schuler AG has about 5,000 employees at production sites in Europe, China and America, as well as service companies in more than 40 countries. The company is majority-owned by the Austrian ANDRITZ Group.

Schuler Pressen GmbH

Schuler-Platz 1
73033 Göppingen
Germany
Phone Sales +49 7161 66-0
Phone Service +49 7161 66-660
Fax +49 7161 66-233

info@schulergroup.com
www.schulergroup.com



www.schulergroup.com

